



**iO-GRID™**

**Counter Module**

**User Manual**



## Table of Contents

1.	Counter Module List.....	3
	Product Description.....	3
2.	Counter Module Specification .....	5
2.1	GFDI-RM02N.....	5
3.	Counter Module Information .....	6
3.1	Counter Module Dimensions .....	6
3.2	Counter Module Panel Information.....	7
3.3	Counter Module Connections.....	8
3.4	Counter Module Modes.....	9
4.	Module Installation/Disassembly .....	10
4.1	Installation.....	10
4.2	Removal.....	11
5.	<b>iO-GRID<sup>M</sup></b> Series Introduction.....	12
5.1	<b>iO-GRID<sup>M</sup></b> Components .....	12
6.	I/O Module Parameter Settings and Introduction .....	15
6.1	I/O Module Settings and Connections.....	15
6.2	i-Designer Program Tutorial .....	17
7.	Counter Module Control Register Description.....	21
7.1	Counter Module Register Communication Method.....	21
7.2	Modbus function code 0x03 Demonstration.....	23
7.3	Supports Modbus Function Code .....	24

## 1. Counter Module List

Product No.	Description	Remarks
GFDI-RM02N	4-channel counter module (24VDC, 0138 terminal block)	

### Product Description

GFDI, digital input module series is specially designed for industrial applications. Its the open-type industrial equipment which is intended for installation within enclosures supplied in the field. A digital input detects if a voltage is above/below a specific threshold. If the voltage is higher than the value, the controller will detect the digital input as high/1. Or if lower than the value, the controller will detect the digital input as low/0. And its circuit design & all the components of GFDI series are compliant with the latest requirements and standards of UL, CE & RoHS. It has a complete circuit protection design to resist overload, overvoltage and short circuit etc. It is avoided to damage & failure caused from improper operations.

**Caution (ATTENTION):**

1. THIS DEVICE IS FOR INDOOR USE ONLY, DON'T PUT OR USE IT IN HIGH TEMPERATURE AND HIGH MOISTURE ENVIRONMENT.  
CET EQUIPEMENT EST DESTINE A UN USAGE INTERIEUR UNIQUEMENT NE PAS STOCKER OU UTILISER DANS UN ENVIRONNEMENT A HAUTE TEMPERATURE ET HAUTE HUMIDITE.
2. AVOID FALLING AND BUMPING OTHERWISE THE ELECTRICAL COMPONENTS WILL BE DAMAGED.  
ÉVITEZ DE TOMBER ET DE VOUS ÉCRASER, SINON LES COMPOSANTS ÉLECTRIQUES SERONT ENDOMMAGÉS
3. DON'T TRY TO DISASSEMBLE OR OPEN THE COVER UNDER ANY CIRCUMSTANCE IN ORDER TO AVOID DANGER.  
NE TENTEZ JAMAIS DE DEBALLER OU D'OUVRIR LE COUVERCLE POUR EVITER TOUT DANGER.
4. IF THE EQUIPMENT IS USED IN A MANNER NOT SPECIFIED BY THE MANUFACTURER, THE PROTECTION PROVIDED BY THE EQUIPMENT MAY BE IMPAIRED.  
SI L'APPAREIL N'EST PAS UTILISE DE LA MANIERE INDIQUEE PAR LE FABRICANT, LA PROTECTION FOURNIE PAR L'APPAREIL PEUT ETRE ALTEREE.
5. THE INSTALLATION THAT THE SAFETY OF ANY SYSTEM INCORPORATING THE EQUIPMENT IS THE RESPONSIBILITY OF THE ASSEMBLER OF THE SYSTEM.  
L'INSTALLATION DE TOUT SYSTÈME INTÉGRANT CET ÉQUIPEMENT EST LA RESPONSABILITÉ DU CONSTRUCTEUR DU SYSTÈME.
6. USE WITH COPPER CONDUCTORS ONLY. INPUT WIRING: MINIMUM 28 AWG, 85°C, OUTPUT WIRING: MINIMUM 28 AWG, 85°C  
DESTINÉ À ÊTRE UTILISÉ AVEC DES CONDUCTEURS EN CUIVRE SEULEMENT. CABLAGE D'ENTREE: MINIMUM 24 AWG, 85 ° C. CABLAGE DE SORTIE: MINIMUM 28 AWG, 85 ° C.
7. FOR USE IN A CONTROLLED ENVIRONMENT. REFER TO MANUAL FOR ENVIRONMENTAL CONDITIONS.  
POUR UN ENVIRONNEMENT CONTROLE. REPORTEZ-VOUS AU MANUEL DES CONDITIONS ENVIRONNEMENTALES.
8. DISCONNECT ALL SOURCES OF SUPPLY BEFORE SERVICING.  
COUPER TOUTES LES SOURCES D'ALIMENTATION AVANT DE FAIRE L'ENTRETIEN ET LES RÉPARATIONS.
9. PROPER VENTILATION IS REQUIRED TO REDUCE THE RISK OF HAZARDOUS OR EXPLOSIVE GAS BUILDUP DURING INDOOR CHARGING. SEE OWNERS MANUAL.  
UNE VENTILATION ADÉQUATE EST NÉCESSAIRE AFIN DE RÉDUIRE LES RISQUES D'ACCUMULATION DE GAZ DANGEREUX OU EXPLOSIFS DURANT LA RECHARGE À L'INTÉRIEUR. VOIR LE MANUEL D'ENTRETIEN.

## 2. Counter Module Specification



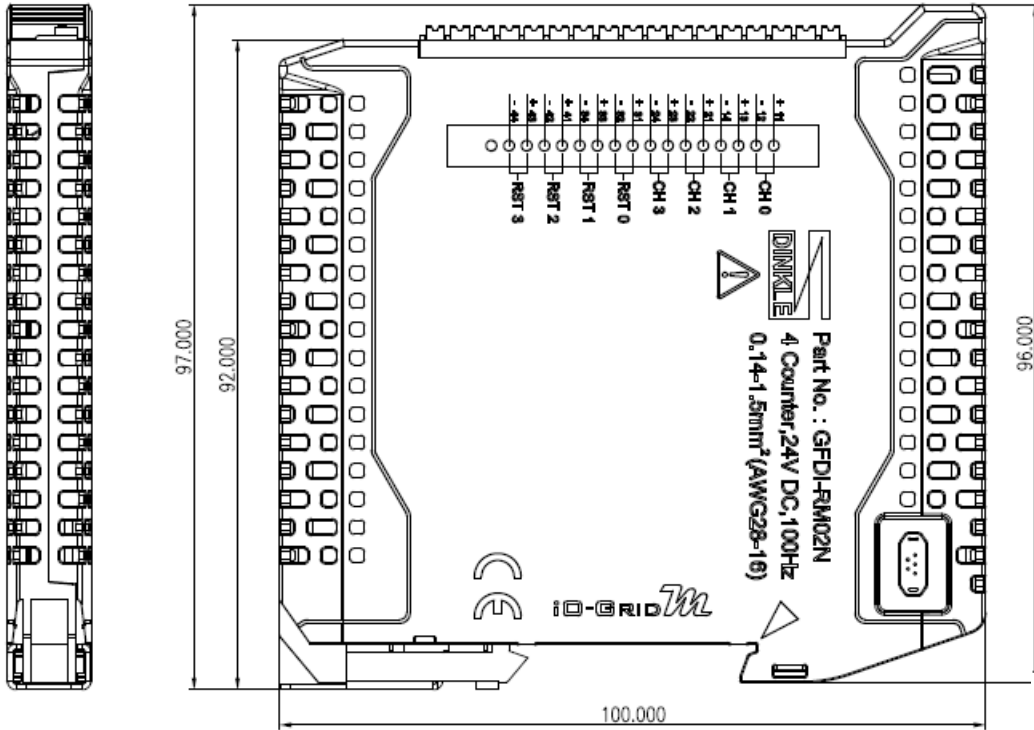
### 2.1 GFDI-RM02N

Technical Specification	
Number of Inputs	4
Voltage Supply	5 VDC via Dinkle Bus
Current Consumption	37 mA @ 5 VDC
Connection Type	Max. 100Hz
Breakover Voltage	15...30 VDC
Cut-off Voltage	0...10 VDC
Communication Interface	RS485 via Dinkle Bus
Communication Specification	
Communication Protocol	Modbus RTU
Format	N, 8, 1
Baud rate range	1200-1.5 Mbps
General Specification	
Dimension (W*D*H)	12 x 100 x 97mm
Weight	60 g
Ambient Temperature (operation)	-10...+60°C
Storage Temperature	-25°C...+85°C
Permissible Humidity(non-condensing)	RH 95%
Altitude Limit	< 2000 m
Ingress Protection (IP)	IP 20
Pollution Severity	II
Safety Approval	CE
Produce Certification	UL / CSA / IEC 61010-2-201&-1
Wiring Range (IEC / UL)	0.2 mm <sup>2</sup> ~ 1.5 mm <sup>2</sup> / AWG 28~16
Wiring Ferrules	DN00510D · DN00710D

### 3. Counter Module Information

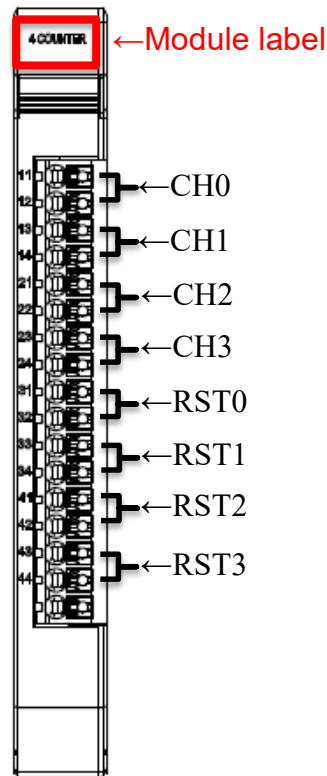


#### 3.1 Counter Module Dimensions



Unit: mm

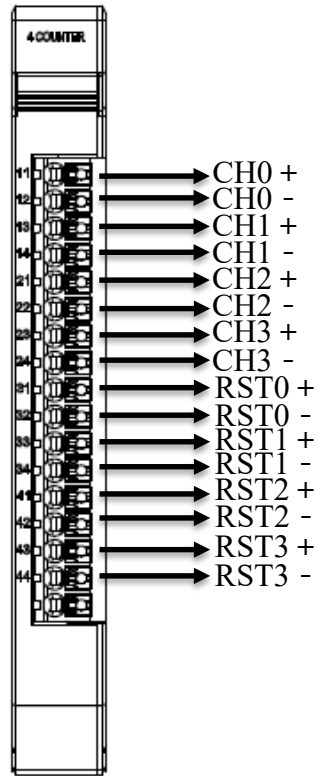
### 3.2 Counter Module Panel Information



Terminal block connector definitions

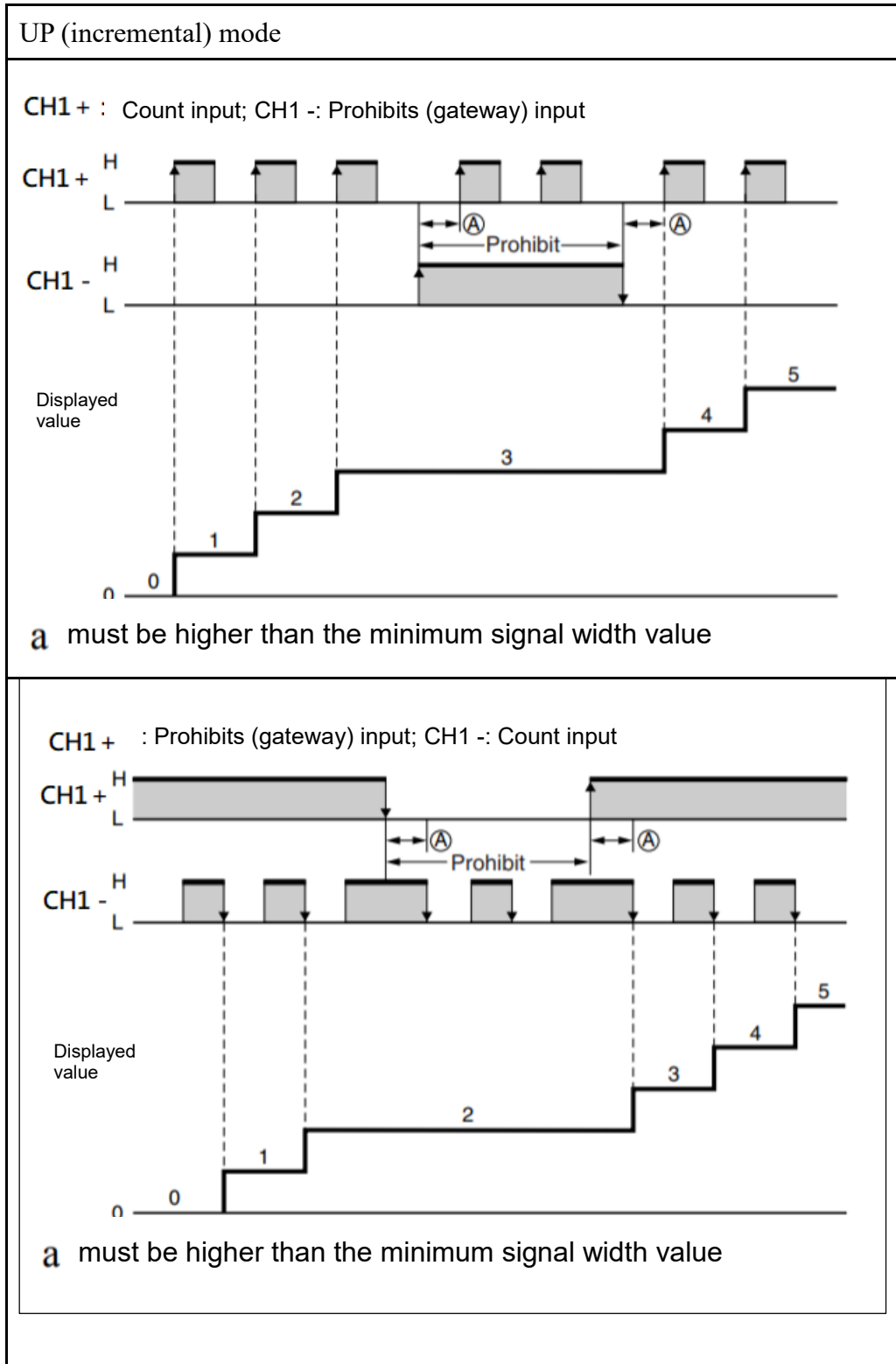
Terminal block labeling	Connector definitions	Terminal block labeling	Connector definitions
+11	Channel 0	+31	RST 0
-12	Channel 0	-32	RST 0
+13	Channel 1	+33	RST 1
-14	Channel 1	-34	RST 1
+21	Channel 2	+41	RST 2
-22	Channel 2	-42	RST 2
+23	Channel 3	+43	RST 3
-24	Channel 3	-44	RST 3

### 3.3 Counter Module Connections





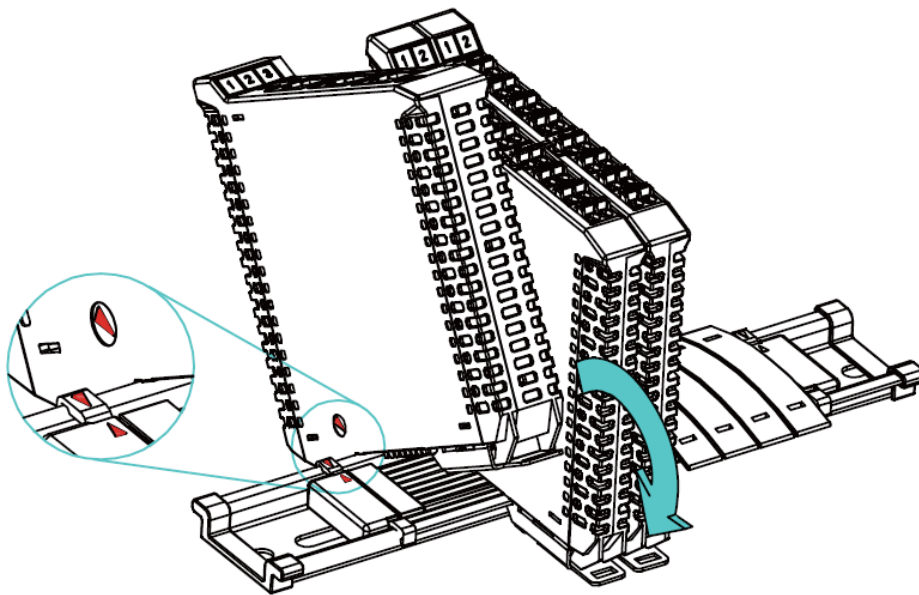
### 3.4 Counter Module Modes



## 4. Module Installation/Disassembly

### 4.1 Installation

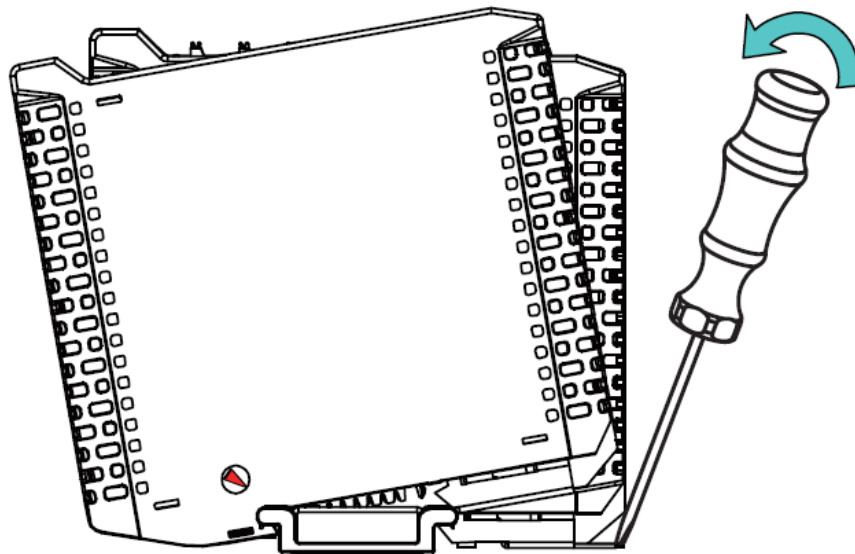
- I. Align the red arrow on the side of the module to the arrow on the DIN rail.
- II. Press the module down and the metal clamp will slide (thanks to its spring mechanism) and grab on the other side of the DIN rail. Continue to push down until the metal clamp “clicks”.



\*Note: Make sure the red arrows on the module and the rail are pointing the same direction.

## 4.2 Removal

- I. Use a screwdriver to pull the metal hook sideways and detach the module from the DIN rail.
  
- II. Remove all modules from the DIN rail in reverse order of installation.



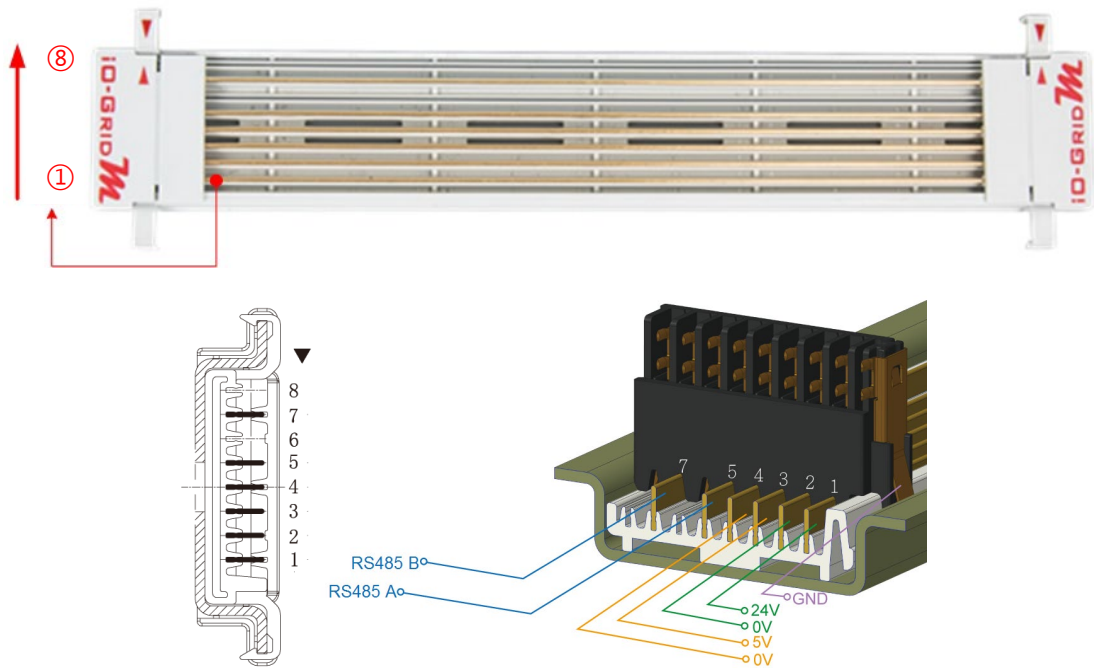
## 5. iO-GRID<sup>M</sup> Series Introduction

iO-GRID<sup>M</sup> series utilizes the standard Modbus communication protocol and supports Modbus RTU/ASCII and Modbus TCP. Please choose products and factory controllers to figure your system based on your communication protocol.

### 5.1 iO-GRID<sup>M</sup> Components

#### I. DINKLE Bus

Rail 1 to 4 are defined for power supply and rail 5 and 7 are defined for communication.



DINKLE Bus Rail Definitions:

Rail	Definition	Rail	Definition
8	—	4	0V
7	RS485B	3	5V
6	—	2	0V
5	RS485A	1	24V

## II. Gateway Module

A gateway module converts between Modbus TCP and Modbus RTU/ASCII. The module provides two sets of external Ethernet ports to connect to the controller and the Internet

There are two types of gateway modules available:

**4-channel gateway module:** Provides 4 RS485 ports to connect to a control module

**Single-channel gateway module:** No external connectivity for the RS485 ports.

The RS485 signals are transmitted via DINKLE Bus and I/O module.

Gateway module products information:

Product No.	Description
<b>GFGW-RM01N</b>	Modbus TCP-to-Modbus RTU/ASCII gateway module. 4 Ports
<b>GFGW-RM02N</b>	Modbus TCP-to-Modbus RTU/ASCII gateway module. 1 Port

## III. Control module

The control module manages I/O modules and sets up the configuration. Provides external RS485 ports to connect to the controller.

There are two types of control modules available:

**3-channel control module:**

Provides 3 external RS485 ports, suitable for stations with 2 or more **control modules**. Among the RS485 ports, 2 of them will be connected to the controller and the control module of the next system.

**Single-channel control module:**

Provides one single RS485 port to connect to the controller, suitable for single-module stations.

Control module products information:

Product No.	Description
<b>GFMS-RM01N</b>	RS485 control module, Modbus RTU/ASCII 3 Ports
<b>GFMS-RM01S</b>	RS485 control module, Modbus RTU/ASCII 1 Port

#### IV. I/O Module

Dinkle offers different types of I/O modules with different functions:

<b>Product No.</b>	<b>Description</b>
<b>GFDI-RM01N</b>	16-channel digital input module (source/sink)
<b>GFDI-RM02N</b>	4-channel counter module (24VDC)
<b>GFDO-RM01N</b>	16-channel digital output module (sink)
<b>GFDO-RM02N</b>	16-channel digital output module (Source)
<b>GFAR-RM11</b>	8-Channel relay module, grounded
<b>GFAR-RM21</b>	4-Channel relay module, grounded
<b>GFAI-RM10</b>	4-channel analog input module ( $\pm 10$ VDC)
<b>GFAI-RM11</b>	4-channel analog input module (0...10VDC)
<b>GFAI-RM20</b>	4-channel analog input module (0... 20mA)
<b>GFAI-RM21</b>	4-channel analog input module (4... 20mA)
<b>GFAO-RM10</b>	4-channel analog output module ( $\pm 10$ VDC)
<b>GFAO-RM11</b>	4-channel analog output module (0...10VDC)
<b>GFAO-RM20</b>	4-channel analog output module (0... 20mA)
<b>GFAO-RM21</b>	4-channel analog output module (4... 20mA)
<b>GFAX-RM10</b>	2-channel analog input module, 2-channel analog output module ( $\pm 10$ VDC)
<b>GFAX-RM11</b>	2-channel analog input module, 2-channel analog output module (0...10VDC)
<b>GFAX-RM20</b>	2-channel analog input module, 2-channel analog output module (0... 20mA)
<b>GFAX-RM21</b>	2-channel analog input module, 2-channel analog output module (4... 20mA)

## 6. I/O Module Parameter Settings and Introduction

### 6.1 I/O Module Settings and Connections

#### I. I/O Module System Configuration List

Name/Product No.	Description
GFDI-RM01N	16-channel digital input module (source/sink)
GFTL-RM01	USB-to-RS232 converter
Micro USB cable	Must have data transfer functionality
Computer	USB-compatible

#### II. Module Initial Setting List

Product No.	Description	Station No.	Baud rate	Format
GFMS-RM01N	RS485 control module, RTU/ASCII	1	115200	RTU(8,N,1)
GFDI-RM01N	16-channel digital input module (source/sink)	1	115200	RTU(8,N,1)
GFDI-RM02N	4-channel counter module (24VDC)	1	115200	RTU(8,N,1)
GFDO-RM01N	16-channel digital output module (sink)	1	115200	RTU(8,N,1)
GFDO-RM02N	16-channel digital output module (Source)	1	115200	RTU(8,N,1)
GFAR-RM11	8-Channel relay module, grounded	1	115200	RTU(8,N,1)
GFAR-RM21	4-Channel relay module, grounded	1	115200	RTU(8,N,1)
GFAI-RM10	4-channel analog input module ( $\pm 10$ VDC)	1	115200	RTU(8,N,1)
GFAI-RM11	4-channel analog input module (0...10VDC)	1	115200	RTU(8,N,1)
GFAI-RM20	4-channel analog input module (0... 20mA)	1	115200	RTU(8,N,1)
GFAI-RM21	4-channel analog input module (4... 20mA)	1	115200	RTU(8,N,1)
GFAO-RM10	4-channel analog output module ( $\pm 10$ VDC)	1	115200	RTU(8,N,1)
GFAO-RM11	4-channel analog output module (0...10VDC)	1	115200	RTU(8,N,1)
GFAO-RM20	4-channel analog output module (0... 20mA)	1	115200	RTU(8,N,1)
GFAO-RM21	4-channel analog output module (4... 20mA)	1	115200	RTU(8,N,1)
GFAX-RM10	2-channel analog input module, 2-channel analog output module ( $\pm 10$ VDC)	1	115200	RTU(8,N,1)
GFAX-RM11	2-channel analog input module, 2-channel analog output module (0...10VDC)	1	115200	RTU(8,N,1)
GFAX-RM20	2-channel analog input module, 2-channel analog output module (0... 20mA)	1	115200	RTU(8,N,1)
GFAX-RM21	2-channel analog input module, 2-channel analog output module (4... 20mA)	1	115200	RTU(8,N,1)

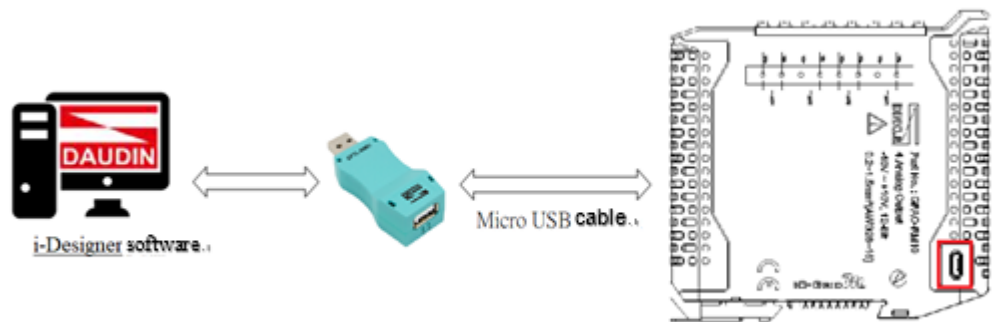
**III. Setup Software Functions:**

The setup software shows the I/O module station numbers, baud rates and data formats.

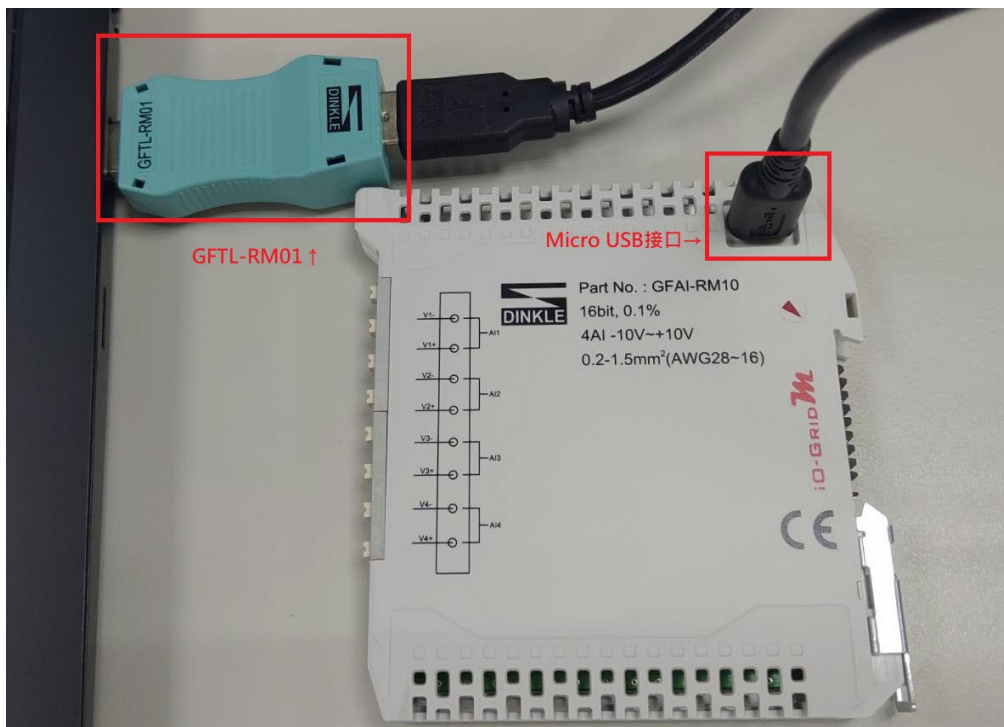
**IV. I/O Module Settings and Connections**

Connect the Micro USB port and GFTL-RM01 (RS232 converter) to your computer and open the iO-Grid M Utility program to set up I/O module parameters

I/O module connection illustration:



I/O module connection image:

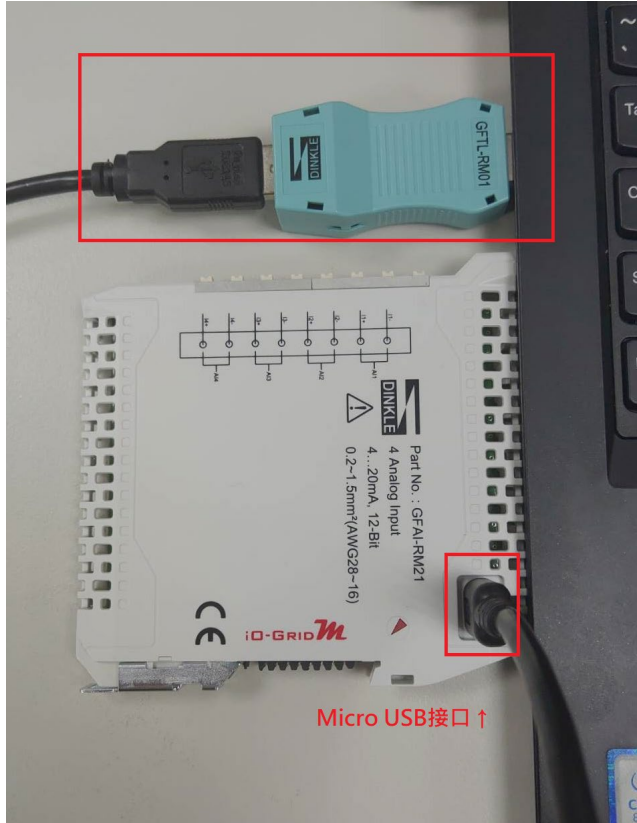


※ Please do not power the I/O module during the setup



## 6.2 i-Designer Program Tutorial

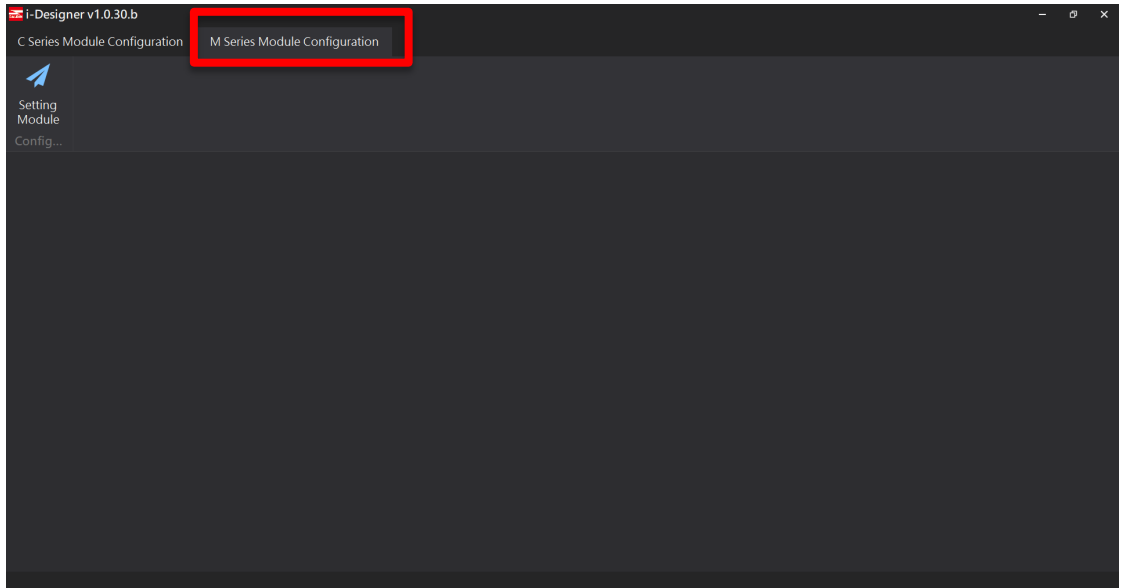
### I. Connect to the I/O module using GFTL-RM01 and a Micro USB cable



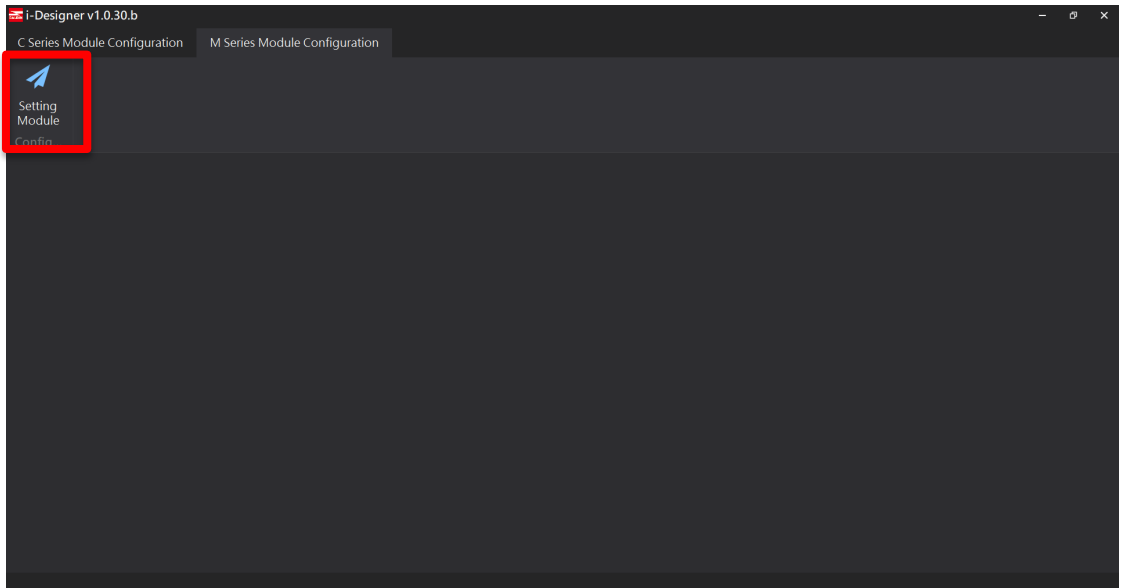
### II. Click to launch the software



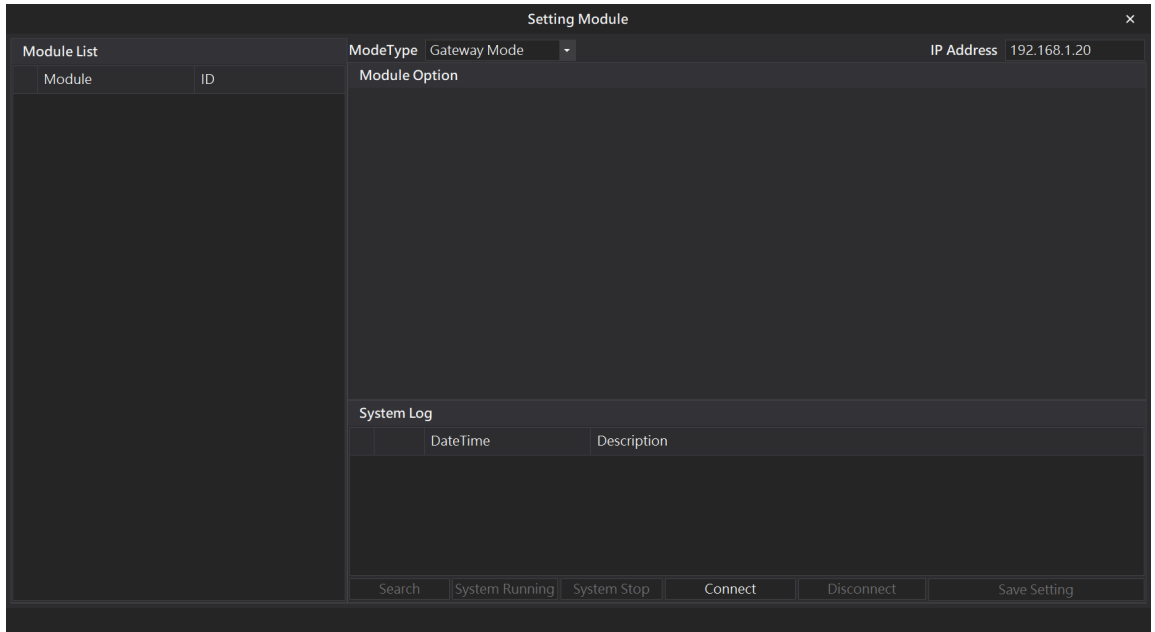
### III. Select “M Series Module Configuration”



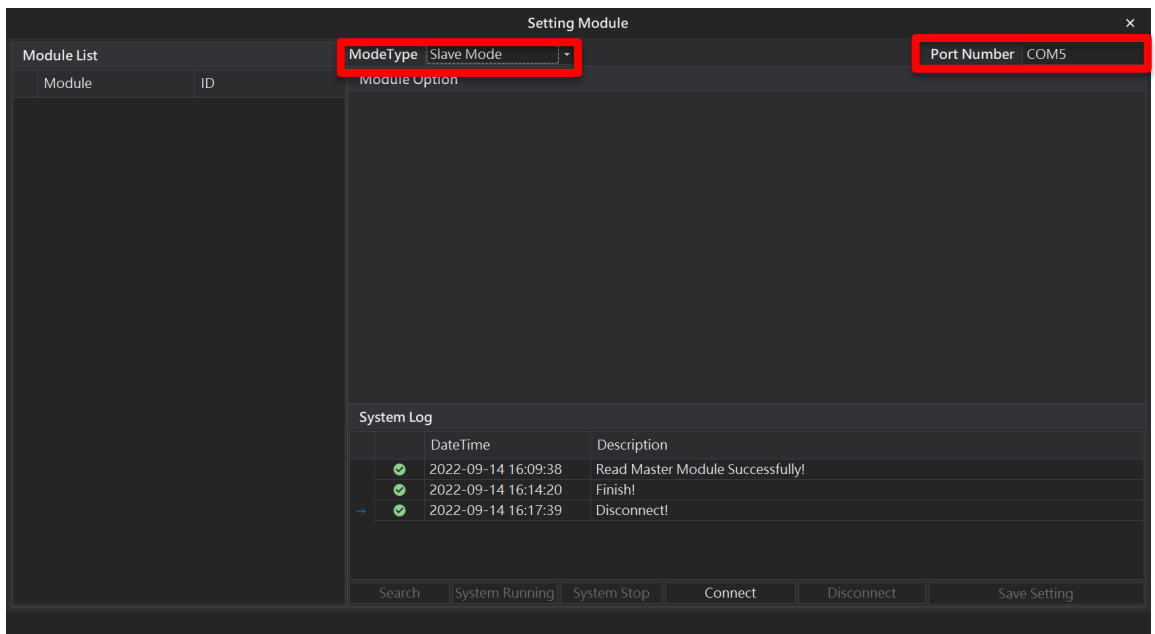
### IV. Click on the “Setting Module” icon



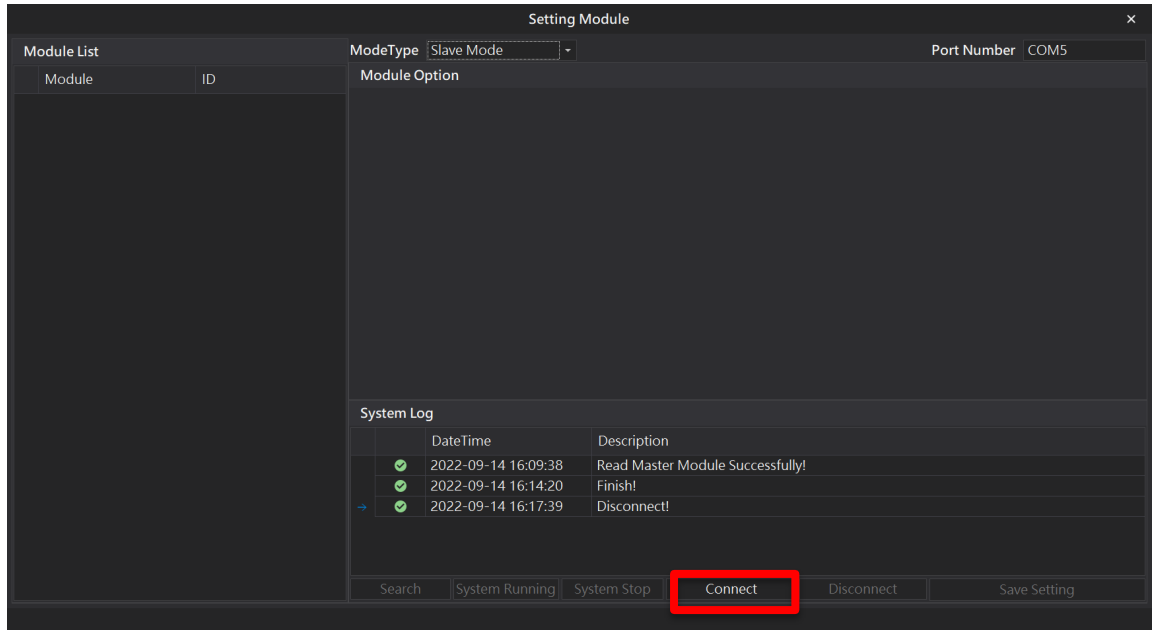
**V. Enter the “Setting Module” page for M-series**



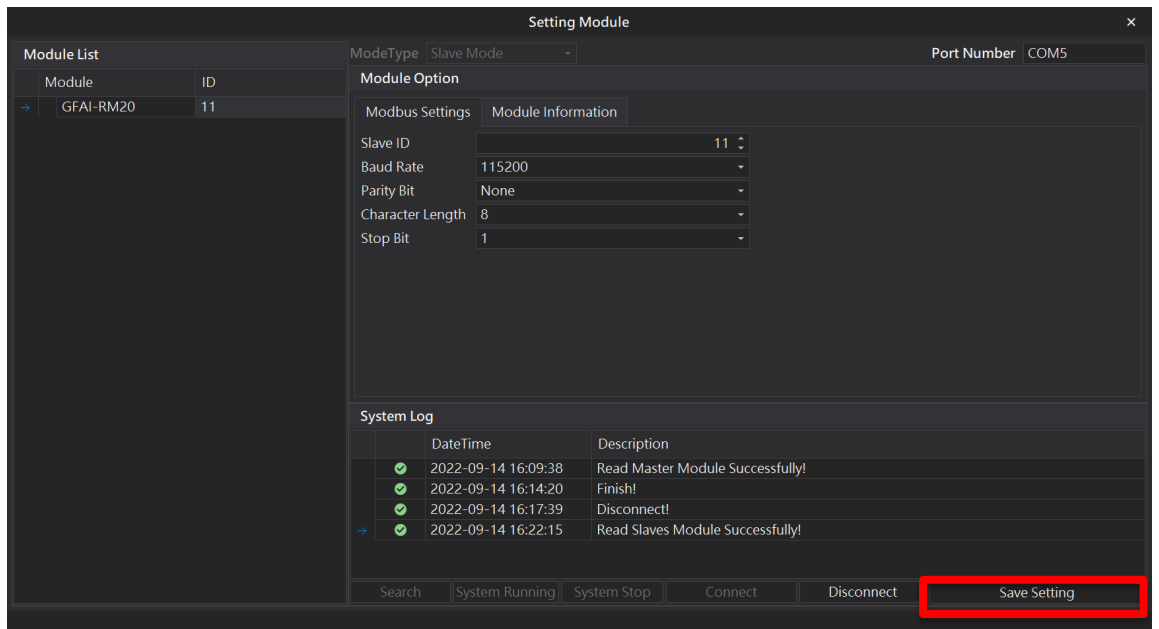
**VI. Select the mode type based on the connected module**



## VII. Click on “Connect”



## VIII. Set up I/O modules' station numbers and communication format (must click on “Save” after changing them)

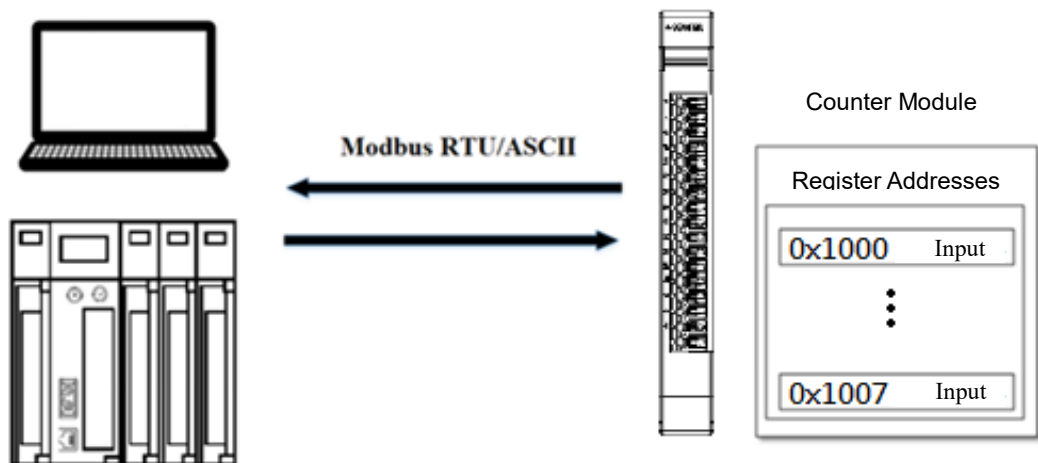


## 7. Counter Module Control Register Description

### 7.1 Counter Module Register Communication Method

#### I. Use Modbus RTU/ASCII to read single-chip digital input module registers

The addresses for the counter module registers to be read are: 0X1000 (CH0 high-order word), 0x1001 (CH0 low-order word), 0x1002 (CH1 high-order word), 0x1003 (CH1 low-order word), 0x1004 (CH2 high-order word), 0x1005 (CH2 low-order word), 0x1006 (CH3 high-order word) and 0x1007 (CH3 low-order word).



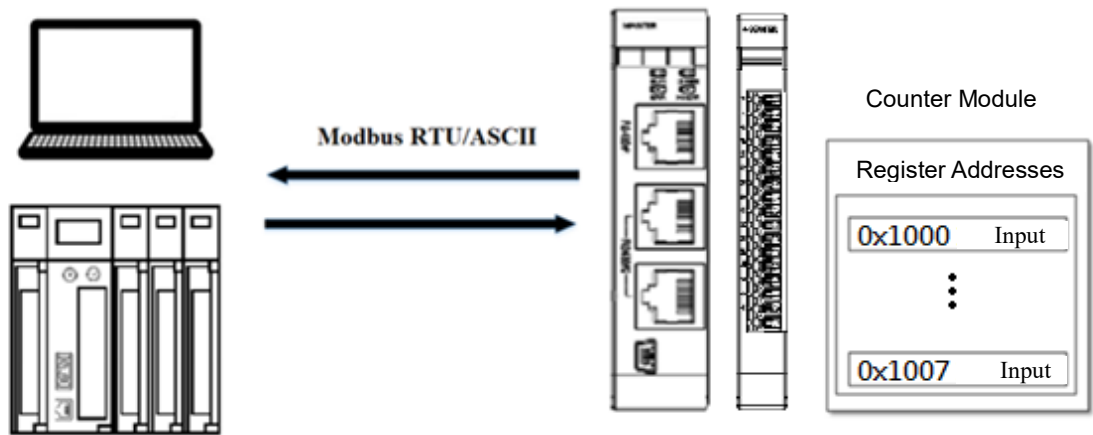
※ With no control module, RS485's physical wire must be connected with an adapter plug and an adapter socket to send the signal to the Dinkle Bus

The configuration that uses Modbus RTU/ASCII to read single-chip digital input module registers is listed below:

Name/Product No.	Description
<b>GFDI-RM02N</b>	4-channel counter module (24VDC)
<b>BS-210</b>	Adapter socket
<b>BS-211</b>	Adapter plug

**II. Use Modbus RTU/ASCII with control modules to read analog input registers**

Once a counter module is set up with a control module, it will automatically assign counter modules' input records registers at 0x1000 (CH0 high-order word), 0x1001 (CH0 low-order word), 0x1002 (CH1 high-order word), 0x1003 (CH1 low-order word), 0x1004 (CH2 high-order word), 0x1005 (CH2 low-order word), 0x1006 (CH3 high-order word) and 0x1007 (CH3 low-order word). If there are multiple registers, they will be assigned addresses based on the module station number.



※ When using control modules, RS485 can connect to control modules with 0170-0101.

The configuration that uses Modbus RTU/ASCII to read analog input module registers is listed below:

Name/Product No.	Description
GFMS-RM01S	Master Modbus RTU, 1 Port
GFDI-RM02N	4-channel counter module (24VDC)
0170-0101	RS485(2W)-to-RS485(RJ45 interface)

## 7.2 Modbus function code 0x03 Demonstration

### I. Use Modbus RTU/ASCII to read single-chip counter module registers

Modbus function code	Transmission example (ID:0x01)	Respond example (ID:0x01)
<b>0x03</b>	01 03 10 00 00 02	01 03 04 00 00 00 00

※In this example, we are reading “0x1000 and 0x1001 channel 1” with the I/O module ID of “01”

※When not using control modules for communications, the addresses for the registers will be: 0x1000 (CH0 high-order word), 0x1001 (CH0 low-order word), 0x1002 (CH1 high-order word), 0x1003 (CH1 low-order word), 0x1004 (CH2 high-order word), 0x1005 (CH2 low-order word), 0x1006 (CH3 high-order word) and 0x1007 (CH3 low-order word).

### II. Use Modbus RTU/ASCII with control modules to read analog input registers

Modbus function code	Transmission example (ID:0x01)	Respond example (ID:0x01)
<b>0x03</b>	01 03 10 00 00 02	01 03 04 00 00 00 00

※In this example, we are reading “0x1000 and 0x1001 channel 1” with the control module ID of “01”

※When using control modules for communications, the addresses for the registers will start at: 0x1000 (CH0 high-order word), 0x1001 (CH0 low-order word), 0x1002 (CH1 high-order word), 0x1003 (CH1 low-order word), 0x1004 (CH2 high-order word), 0x1005 (CH2 low-order word), 0x1006 (CH3 high-order word) and 0x1007 (CH3 low-order word).

### 7.3 Supports Modbus Function Code

Modbus function code	Transmission example (ID :0x01)	Respond example (ID :0x01)
<b>0x03</b>	01 03 10 00 00 01	01 03 02 00 00